

Ref. : CBL 4140.pas

Rev. : Initial

Date : 25/08/2014

Page : 1/1

THREADED BALL NON-RETURN VALVE

CBL 4140



Tecofi'
VALVE DESIGNER - FRANCE

APPLICATION

General uses: waste water, sticky fluids, raising water (purification, water treatment, pumping...)

GENERAL CHARACTERISTICS

Design in accordance with standard NF EN 12334.

BSP threaded connection.

Tight and working in horizontal or vertical position.

Low head loss.

Full bore thanks to the moving of the ball.

Self-cleaning ball.

Easy and quick disassembling cover.

Body: oven baked epoxy 150 µm, RAL 5019.



CONSTRUCTION

4	1	Ball	DN25-40 Nitril DN50-80 NBR coated Aluminium	
3	1	Gasket	Nitril	
2	1	Bonnet	Ductile iron EN-GJS-400-15	DIN: GGG 40 ASTM: A536 65-45-12 BS: 1563 EN-JS1030
1	1	Corps	Ductile iron EN-GJS-400-15	DIN: GGG 40 ASTM: A536 65-45-12 BS: 1563 EN-JS1030
Pos.	Q-ty	Description	Material	

DIMENSIONS

DN		L	H	Weight (kg)
mm	inch			
25	1"	141	72,71	1,8
32	1"1/4	141	76,23	2
40	1"1/2	150	91,45	3
50	2"	175	111,24	4,8
65	2"1/2	214	114,9	6,2
80	3"	248	160,39	12

WORKING CONDITIONS

Maximum working pressure : 10 bar.

Maximum temperature : + 80°C.

Warning: On request for low load.

Pressure test according to standards EN 12266-1, DIN 3230, BS 6755 and ISO 5208 :

Body : 15 bar.

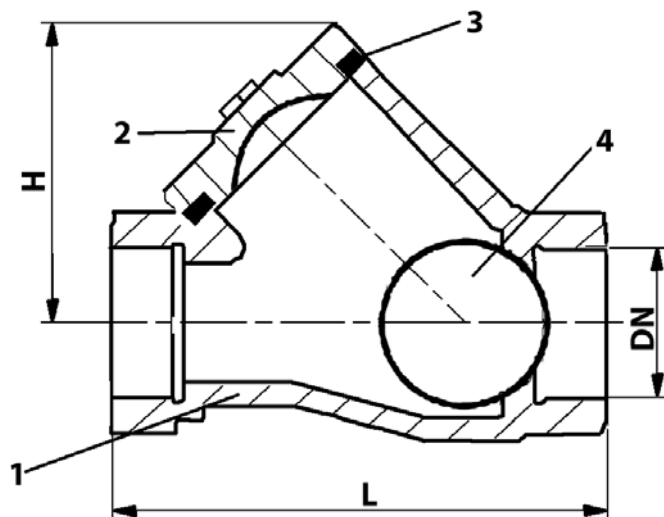
Seat : 11 bar.

STANDARDS

Manufacture according to the requirements of the European directive 97/23/CE

«Equipment under pressure»: category III modulate H.

BSP threaded according to standard ISO 228-1.



TECOFI France - 83, Rue Marcel Mérieux 69960 Corbas - FRANCE
Tél. +33 (0) 4 72 79 05 79 - Fax +33 (0) 4 78 90 19 19 / +33 (0) 4 72 79 05 70
Adresses e-mail : sales@tecofi.fr ; tecofi@tecofi.fr / Site web : www.tecofi.fr